

ES18-40WA

1800kg

Electric Straddle Stacker



- Straddle design offering wide applicability across various pallets
- Great maneuverability in narrow spaces thanks to turtle speed
- Standard proportional lifting system ensuring precise lifting
- Powerful AC vertical traction motor
- LI-ion battery option for flexibility and convenience



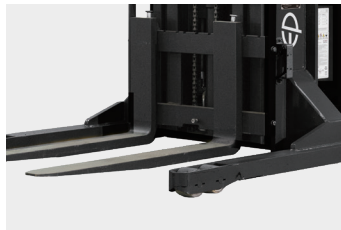
Manufacturer			EP
Model designation			ES18-40WA
Drive			Electric
Load capacity	Q	kg	1800
Load center distance	c	mm	600
Service weight			1520
Lift height	h3	mm	3135
Height, mast extended	h4	mm	4115
Length to face of forks	l2	mm	1022
Overall width	b1/b2	mm	1270/1370/1470
Fork dimensions	s/e/l	mm	45/100/1070
Turning radius	Wa	mm	1645
Max. gradeability, laden/unladen			6/10
Travel speed, laden/unladen			4.5/5.0
Lifting speed, laden/unladen			0.127/0.23
Lowering speed, laden/unladen			0.26/0.20
Battery voltage/nominal capacity			24/280

FEATURE



Performance

- The innovative AC system offers strong power, accurate control, excellent performance.
- High strength vertical gearbox, longer working life.
- Low-noise but durable hydraulic unit, good quality cylinder as well as hose ensure the high reliability of hydraulic system.
- AMP connector and durable electric wires greatly reduce malfunctions of components.
- H shape channel mast improves the strength of the whole truck.
- Staddle design ensures the stability of high lifting.



Safety

- Safe hydraulic system design prevents mast from falling down abruptly when hydraulic pipeline cuts off.
- Emergency reverse belly button protects the operator from getting hurt.
- Emergency disconnecter will cut off power source to avoid accident when truck goes out of control.
- Multiple lifting limit protection ensures safety.
- Automatic switch to lower speed when the fork reaches its setting height.
- Anti-rolling back brake keeps the truck from skidding down when truck is out of control or travelling on ramp.
- Long operational tiller ensures safety distance for operators.

Operation

- With the new design of ergonomical tiller head, all buttons can be reached conveniently & comfortably.
- Long tiller reduces the steering force greatly.
- Creep speed function: when tiller is in near vertical position, the driving speed will decrease automatically, allowing delicate operation in confined space.
- Side-open battery design for easy battery replacement and various applications.

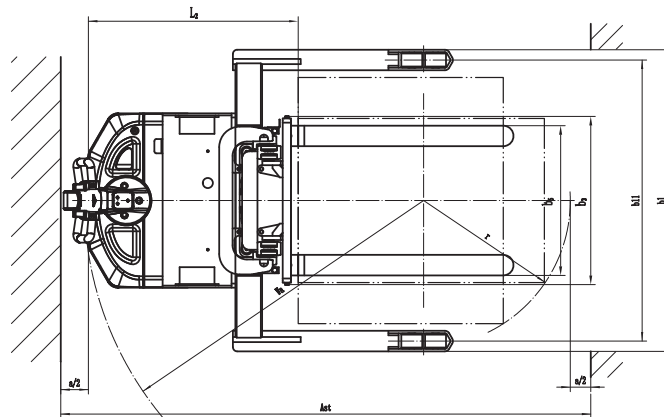
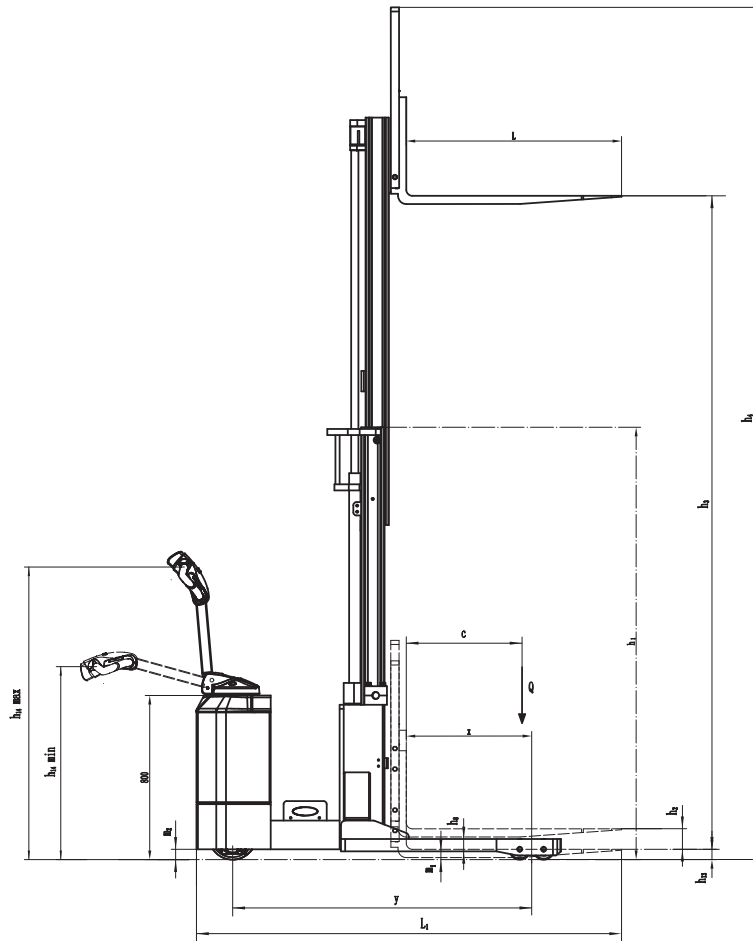
Maintenance

- AC traction motor, maintenance free.
- Hour meter and battery indicator remind the operator of battery charging.
- Easily remove the back cover by only loosening four bolts; Access to all key components for inspection, maintenance and replacement.
- Vertical motor makes the inspection & service much more convenient.
- Control system allows easy trouble-shooting.
- Mast and chassis are assembled together, easy for maintenance.
- Low voltage cut off setting protects batteries.

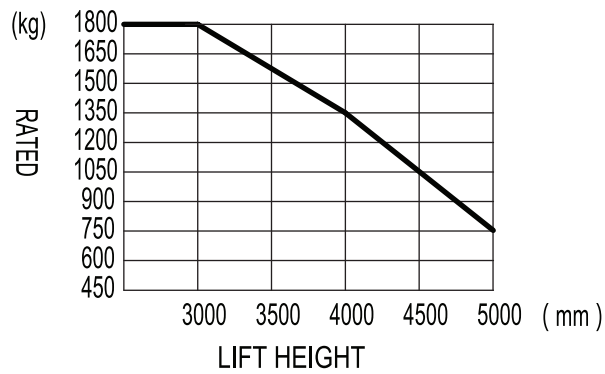
Electric Stacker 1.8t ES18-40WA

Distinguishing mark	1.1	Manufacturer			EP
	1.2	Model designation			ES18-40WA
	1.3	Drive			Electric
	1.4	Operator type			Pedestrian
	1.5	Load capacity	Q	kg	1800
	1.6	Load center distance	c	mm	600
	1.8	Load distance, centre of drive axle to fork	x	mm	610
	1.9	Wheelbase	y	mm	1455
	Service weight	2.1	Service weight		kg
2.2		Axle loading, laden front/rear		kg	945/2375
2.3		Axle loading, unladen front/rear		kg	925/595
Tyres/chassis	3.1	Tyre type			Polyurethane
	3.2.1	Tyre size, front		mm	Φ230x75
	3.3.1	Tyre size, rear		mm	Φ102x73
	3.4	Additional wheels (castor wheels)		mm	Φ102x63.5
	3.5	Wheels, number front/rear (x=drive wheels)		mm	1x+2/4
	3.6.1	Tread width, front	b10	mm	580
	3.7.1	Tread width, rear	b11	mm	1170/1270/1370
Dimensions	4.0	Max. Lift Height	H	mm	3200
	4.2	Retracted mast height	h1	mm	2118
	4.3	Free lift	h2	mm	150
	4.4	Lift height	h3	mm	3135
	4.5	Height, mast extended	h4	mm	4115
	4.6	Initial lift	h5	mm	—
	4.9	Height of tiller handle in drive position min./max.	h14	mm	990/1500
	4.10	Height of wheel arms	h8	mm	100
	4.15	Lowered height	h13	mm	65
	4.19	Overall length	l1	mm	2092
	4.20	Length to face of forks	l2	mm	1022
	4.21	Overall width	b1/b2	mm	1270/1370/1470
	4.22	Fork dimensions	s/e/l	mm	45/100/1070
	4.24	Fork carriage width	b3	mm	800
	4.25	Distance between fork-arms	b5	mm	200-760
	4.26	Distance between wheel arms/loading surfaces	b4	mm	1070/1170/1270
	Performance data	4.31	Ground clearance, laden, below mast	m1	mm
4.32		Ground clearance, center of wheelbase	m2	mm	50
4.34.1		Aisle width for pallets 1000×1200 crossways	Ast	mm	2560
4.34.2		Aisle width for pallets 800×1200 crossways	Ast	mm	2560
4.35		Turning radius	Wa	mm	1645
5.1		Travel speed, laden/unladen		km/h	4.5/ 5.0
5.2		Lifting speed, laden/unladen		m/s	0.127/0.23
Electric-engine	5.3	Lowering speed, laden/unladen		m/s	0.26/0.20
	5.8	Max. gradeability, laden/unladen		%	6/10
	5.10	Service brake			Electromagnetic
	6.1	Drive motor rating S2 60 min		kW	1.1
	6.2	Lift motor rating at S3 15%		kW	3.0
Addition data	6.4	Battery voltage/nominal capacity		V/Ah	24/280
	6.5	Battery weight		kg	250
	8.1	Type of drive control			AC
	10.5	Steering design			Mechanical
	10.7	Sound pressure level at the driver's ear		dB(A)	74

If there are improvements of technical parameters or configurations, no further notice will be given.
The diagram shown may contain non-standard configurations.



RATED CAPACITIES GRAPH



Mast Option

Mast types	Lift height h3+h13 (mm)	Height, mast lowered h1 (mm)	Free lift h2 (mm)	Height, mast extended h4 (mm)
2-Standard Mast	2640	1838	150	3555
	3000	2018	150	3915
	3200	2118	150	4115
	3590	2303	150	4505
2-Free Mast	—	—	—	—
	—	—	—	—
3-Free Mast	4000	1822	907	4915
	4500	2022	1107	5415
	4800	2122	1207	5715
	5000	2187	1272	5915

Option

No.	Optional items	ES18-40WA
1.1	Fork dimension	●1070○1150○1220○920
1.2	Fork lowered height	●65
1.3	Fork carriage width	●800
1.4	backrest height	●915
1.5	Leg width	●1070○1170○1270
2.1	Load wheel type	●Double
2.2	Load wheel material	●Polyurethane
2.3	Drive wheel material	●Polyurethane
2.7	Battery capacity	●280Ah○360Ah○205Ah(Li-ion)
2.8	Charger	●24V-30A External○24V-50A External○24V-100A External (Li-ion)
2.9	Battery indicator	●With time○With time (Bluetooth)
2.11	Attachments	●No○External shifter
3.2	Castor wheels	●Yes and not customized
3.3	Water auto-filling system	●No○Yes and not customized (only for Lead-acid battery)
3.20	Telematics	●No○Yes and not customized (only for Li-ion battery)
4.5	Proportional lift system	●Yes and not customized

Note: ●Standard ○Optional - Inconformity